

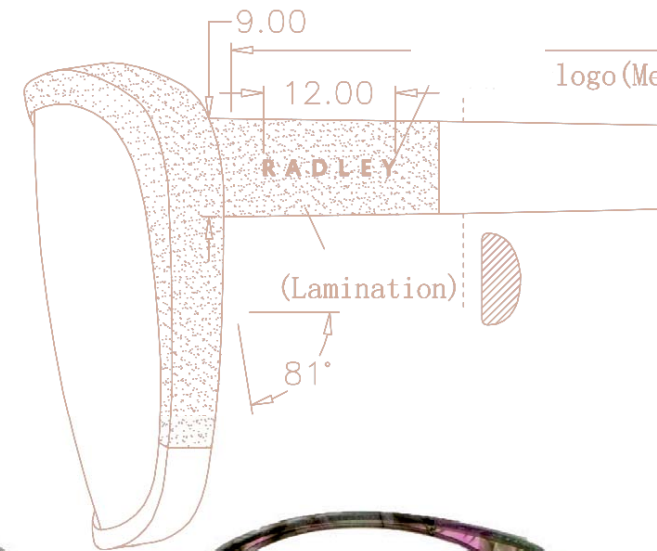
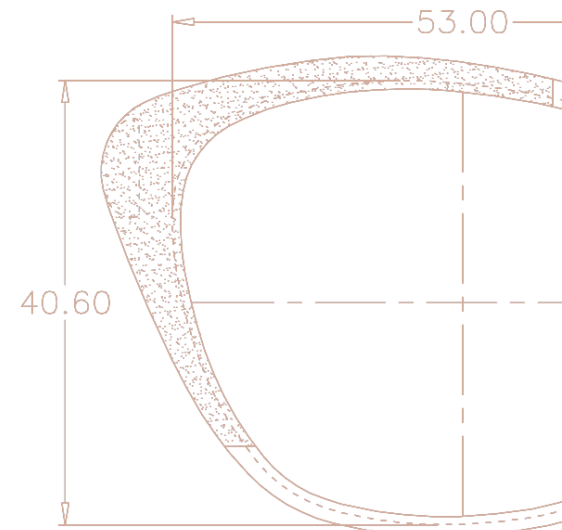
RADLEY
LONDON

2023 OPTICAL & SUN COLLECTION

COLOUR PALETTE SS 2023.

Optical collection

IT ALL STARTS
WITH A SKETCH



RDO 6015

Vintage combination round-eye frame



RDO 6015 - 102

Gloss tort & sundial orange - Bronze



RDO 6015 - 107

Gloss fig smoke & pink - Rose gold



- VINTAGE STYLE, COMBINATION ROUND EYE TAPERED METAL TEMPLES
 - SPRING HINGES
-
- BASE CURVE: 4.5
 - ED: 51.8
 - 49 - 20 - 140 B: 43.3
 - PANTO ANGLE: 9

RDO 6015

Vintage combination round-eye frame



RDO 6017

Easy to wear, soft cat-eye frame



- EASY TO WEAR, SOFT CAT-EYE STYLE
BIO-ACETATE MODEL
 - SPRING HINGES
-
- BASE CURVE: 4.5
 - ED: 56.1
 - 52 - 16 - 135 B: 37.6
 - PANTO ANGLE: 9



RDO 6017 - 102

Gloss butterscotch tort & palm leaf green



RDO 6017 - 106

Gloss crystal navy & nude



RDO 6017 - 107

Gloss palm leaf green & sundial orange



RDO 6017 - 161

Gloss lavender horn & purple

RDO 6017

Easy to wear, soft cat-eye frame



RDO 6020

Statement laminated acetate cat-eye



- STATEMENT CAT-EYE STYLE WITH FRONT AND TEMPLE LAMINATIONS
 - SPRING HINGES
-
- BASE CURVE: 4.5
 - ED: 57.0
 - 53 - 17 - 135 B: 40.6
 - PANTO ANGLE: 9



RDO 6020 - 102

Gloss crystal green fig & butterscotch tort



RDO 6020 - 104

Gloss black smoke & Burgundy



RDO 6020 - 161

Gloss lavender & lavender & green fig smoke

RDO 6020

Statement laminated acetate cat-eye



RDO 6022

Fine, oversized oval metal rimwire



- OVERSIZED OVAL METAL RIMWIRE
 - SPRING HINGES
-
- BASE CURVE: 4.5
 - ED: 59.5
 - 54 - 18 - 140 B: 46.4
 - PANTO ANGLE: 9



RDO 6022 - 001

*Matte gold with painted palm leaf green
& solid Burgundy tips*



RDO 6022 - 002

*Matte silver & painted lavender with
green fig & purple smoke tips*



RDO 6022 - 072

*Matte rose gold & painted dark rose
with grey tort tips*



RDO 6010 - 161



RDO 6009 - 104

RDO 6009

Easy to wear, oval combination frame



- TEXTURED TEMPLES
INSPIRED BY QUILTED
RADLEY BAGS

- SPRING HINGES

- BASE CURVE: 4.5

- ED: 57.1

- 53 - 16 - 140 B: 41

- PANTO ANGLE: 9



RDO 6009 - 104

Gloss black & pink tort



RDO 6009 - 154

Gloss crystal green & purple tort



RDO 6009 - 172

Gloss crystal pink & black tort

RDO 6010

Classic rectangle eye with textured temple core wire



- SPRING HINGES
-

• BASE CURVE: 4.5

• ED: 56.8

• 53 - 17 - 140 B: 37.7

• PANTO ANGLE: 9



RDO 6010 - 104

Gloss solid black



RDO 6010 - 154

Gloss crystal green horn & tort



RDO 6010 - 161

Gloss crystal purple & tort

RDO 6012

Sophisticated flat sheet metal with enamel details on front & temples



- SPRING HINGES
-

- BASE CURVE: 4.5
- ED: 56.9
- 52 - 16 - 135 B: 38
- PANTO ANGLE: 9



RDO 6012 - 001

Matte gold & pink



RDO 6012 - 202

Matte silver & navy



RDO 6012 - 272

Matte rose gold & green

RDO 6013

Chunky vintage style with front bevelling



- SOFT CAT EYE SHAPE
 - SPRING HINGES
-

- BASE CURVE: 4.5
- ED: 58.3
- 52 - 18 - 140 B: 38.8
- PANTO ANGLE: 9



RDO 6013 - 104

Gloss solid black



RDO 6013 - 107

Gloss crystal green



RDO 6013 - 161

Gloss crystal purple



RDO 6012 - 272



RDO 6000 - 108

RDO 6000

Chunky crystal wayfarer shape.



- Crystal acetates
 - Spring hinges
 - Full frame
 - Base curve: 5.0
-

- ED: 57.9

- Panto angle: 9

- 54 - 17 - 140 b: 40.6



RDO 6000 - 103

Gloss crystal butterscotch / Tort



RDO 6000 - 108

Gloss grey tort



RDO 6000 - 162

Gloss crystal Burgundy / Pink horn

RDO 6001

Flattering oval supra with colour contrast under eye cord.



- Painted metal with coloured eye cords
 - Spring hinges
 - Supra
 - Base curve: 4.5
-

- ED: 60.9
- Panto angle: 9
- 53 - 17 - 140 b: 42.7



RDO 6001 - 204
Gloss black - Plated orange / Tort



RDO 6001 - 207
Gloss teal / Rose gold



RDO 6001 - 261
Gloss purple & gun metal / Grey tort

RDO 6001

Flattering oval supra with colour contrast under eye cord.



RDO 6002

Flat sheet dual colour metal fronts with super slim temples.



- Painted metal frame with acetate tips
 - Spring hinges
 - Full frame
 - Base curve: 4.5
-

- ED: 42.8

- Panto angle: 9

- 53 - 17 - 140 b: 42.8



RDO 6002 - 062

Shiny Burgundy & gold / Tort



RDO 6002 - 205

Shiny navy & matte gold / Orange



RDO 6002 - 207

Shiny teal & rose gold / Crystal Burgundy

RDO 6003

Dual colour metal supra with handmade acetate temples.



- Dual colour metal front, acetate temples
 - Spring hinges
 - Supra
 - Base curve: 4.5
-

- ED: 59.8

- Panto angle: 9

- 52 - 17 - 140 b: 40.9



RDO 6003 - 004

Matte black & gold / Gloss grey tort



RDO 6003 - 062

Shiny Burgundy & gold / Gloss navy



RDO 6003 - 207

Shiny teal & rose gold / Gloss Burgundy

RDO 6003

Dual colour metal supra with handmade acetate temples.



RDO 6004

Super skinny vintage round eye.



- Crystal acetate front and laminated temples
 - Spring hinges
 - Full frame
 - Base curve: 4.5
-

- ED: 53.5
- 50 - 18 - 140 b: 42.3

- Panto angle: 9



RDO 6004 - 102
Tort / Orange peel and tort



RDO 6004 - 106
Ink navy / Tort and navy



RDO 6004 - 108
Crystal grey / Grey tort



RDO 6004 - 172
Gloss pink horn / Burgundy

RDO 6006

Oversized cat eye in handmade acetate.

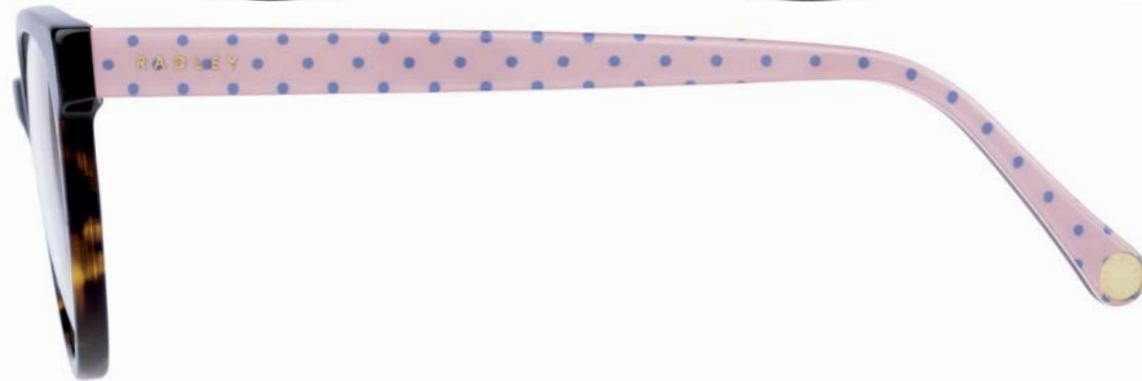


- Handmade acetate frame
- Spring hinges
- Full frame
- Base curve: 5.0

- ED: 56.9

- Panto angle: 9

- 51 - 19 - 140 b: 43.9



RDO 6006 - 102

Gloss tort / Spot & Burgundy



RDO 6006 - 106

Gloss navy / Nude



RDO 6006 - 108

Gloss crystal grey / Grey tort

RDO 6006

Oversized cat eye in handmade acetate.



TRUDY

Acetate statement cat eye with metal front detailing.



- Crystal acetates and metal front details
 - Spring hinges
 - Full frame
 - Base curve: 4.5
-

- ED: 58.7

- Panto angle: 9

- 54 - 16 - 140 b: 42.5



TRUDY - 107

Gloss crystal blue / Matte rose gold



TRUDY - 172

Gloss crystal pink / Tort /
Rose gold



TRUDY - 195

Gloss black horn / Gold

YASMINA

Flattering, round eye combination frame with two colour fronts and two colour stepped metal temples.



- Combination frame with front acetate lamination with stepped, dual colour metal temples.
 - Spring hinges
 - Full frame
 - Base curve: 4.5
-

- ED: 53.1

- Panto angle: 9

- 50 - 17 - 140 b: 41.7



YASMINA - 102

Gloss tortoise & merlot / Gold



YASMINA - 103

Gloss tortoise / Gold



YASMINA - 105

Gloss blue heather & pink tort /
Gold & teal

YASMINA

Flattering, round eye combination frame with two colour fronts and two colour stepped metal temples.



PAYGE

COMBINING COMFORT AND CUTE RADLEY PRINTS - HEAT GLAZE THERMOPTICS TR90
IN PETITE FIT.



- Thermoptics™ TR90 LSX heat glazable frame
 - Full frame
 - Base curve: 4.5
-

- ED: 52.1
- Panto angle: 9
- 49 - 16 - 135 b: 34



PAYGE - 104

Matte black / Sketchbook floral
mono print



PAYGE - 107

Gloss green crystal



PAYGE - 162

Matte Burgundy crystal /
Terrazzo print

YOLANDE

EYEWEAR ACCESSORIES THAT HIT THE SWEET SPOT - A SLIM METALLIC DESIGN WITH LAYERED, TWO TONE COLOURS.



- Sheet stainless steel stepped front
 - Hand crafted acetate tips
 - Spring hinges
 - Adjustable silicone nose pads
 - Full frame
 - Base curve: 4.5
-

- ED: 56.3 - Panto angle: 9
- 53 - 17 - 145 b: 39



YOLANDE - 004
Matte black / Shiny gold



YOLANDE - 061
Matte rose gold / Purple



YOLANDE - 062
Matte Burgundy / Matte gold



YOLANDE - 207
Shiny teal / Matte gold

JESSAMY

FINELY STYLED CLASSICS THAT LAST THE TEST OF TIME. PLAYFUL PRINTS AND HUES OF PINK AND PURPLE.



- Stainless steel rimwire
 - Hand crafted acetate tips
 - Spring hinges
 - Adjustable silicone nose pads
 - Supra
 - Base curve: 4.5
-

- ED: 55.6

- Panto angle: 9

- 52 - 17 - 140 b: 35



JESSAMY - 001

Matte gold / Teal



JESSAMY - 072

Matte rose gold



JESSAMY - 261

Shiny purple / Sketchbook mono
floral print / Pink

MARGARET

NEW SEASON MUST-HAVES. A FEMININE EYESHAPES IN THE LATEST TREND FOR COMBINATION MATERIALS.



- Hand crafted acetate front and tips
- Stainless steel temples
- Spring hinges
- Full frame
- Base curve: 4.5

- ED: 55.5

- Panto angle: 9

- 51 - 16 - 140 b: 39



MARGARET - 102

Gloss tort / Burgundy



MARGARET - 104

Gloss black / Gold



MARGARET - 107

Gloss green / Brown

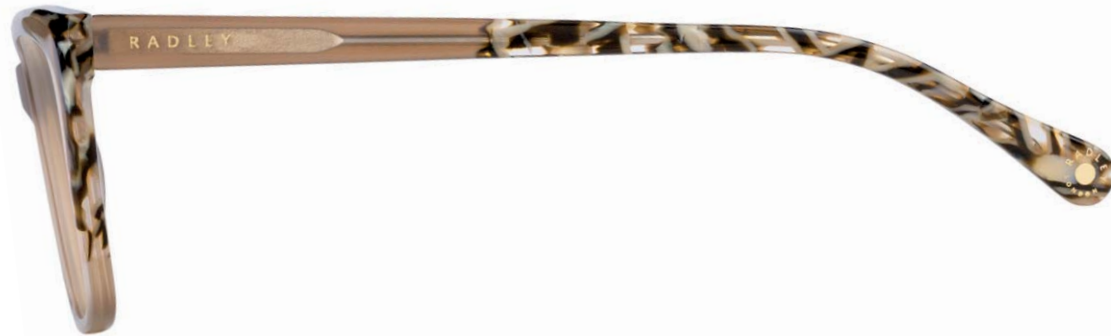


MARGARET - 172

Gloss pink / Radley terrazzo print

JANELLA

BLOCKS OF PATTERN COMBINE WITH AUTUMN COLOUR. SOPHISTICATION IN A CONFIDENTLY FEMININE SILHOUETTE.



JANELLA - 103

Gloss toffee crystal



JANELLA - 160

Gloss red tort / Bone



JANELLA - 188

Gloss teal



- Hand crafted acetate frame
 - Spring hinges
 - Full frame
 - Base curve: 4.5
-

- ED: 60.1

- Panto angle: 9

- 54 - 17 - 140 b: 41

KAROLINA

ADD A POP OF COLOUR TO YOUR DAY WITH BRIGHT LAMINATIONS TO A FLATTERING DEEP SHAPE.



- Hand crafted acetate frame
 - Spring hinges
 - Full frame
 - Base curve: 4.5
-

- ED: 59.6

- Panto angle: 9

- 53 - 19 - 140 b: 43



KAROLINA - 102

Gloss tort / Solid teal



KAROLINA - 104

Gloss black / Solid Burgundy



KAROLINA - 172

Gloss flamingo pink tort /
Solid nude

VANESA

A BEAUTIFUL BUTTERFLY WITH JEWELLERY TRIMS AND HAND-PAINTED COLOUR FROM RADLEY'S AUTUMN PALETTE.



- Hand crafted acetate frame
- Stainless steel temples
- Spring hinges
- Cut-away lenses
- Full frame
- Base curve: 4.5

- ED: 57.7

- Panto angle: 9

- 52 - 16 - 140 b: 40



VANESA - 102

Gloss brown / Brick orange



VANESA - 103

Gloss toffee crystal / Purple



VANESA - 188

Gloss teal

KEZIA

STYLISH AND FUNCTIONAL IN A PETITE FIT. A CLASSIC SILHOUETTE FEATURING FRONT CORNER LAMINATIONS.



- Hand crafted acetate frame
 - Stainless steel temples
 - Spring hinges
 - Full frame
 - Base curve: 4.5
-

- ED: 53.2

- Panto angle: 9

- 49 - 13 - 135 b: 34



KEZIA - 103

Gloss toffee crystal / Purple



KEZIA - 160

Gloss red tort / Bone



KEZIA - 161

Gloss purple tort / Purple crystal

KARYN

POISED TO PERFECTION! A SOPHISTICATED METAL RIM WIRE WITH DOUBLE COLOUR BROW .



- Stainless steel frame
 - Hand crafted acetate frame bar and temple tips
 - Spring hinges
 - Adjustable silicone nosepads
 - Full frame
 - Base curve: 4.5
-

- ED: 54.5
- Panto angle: 9
- 50 - 16 - 140 b: 37



KARYN - 102

Gloss purple tort / Gold



KARYN - 104

Gloss solid black / Grey snakeskin /
Rose gold



KARYN - 160

Gloss red tort / Gold

KADY

A COLOURFUL, EASY TO WEAR BUTTERFLY SHAPE, FINISHED WITH CONFIDENT COLOUR BLOCKING.



- Triple layered acetate front & laminated temples
 - Spring hinges
 - Full frame
 - Base curve: 4.5
-

- ED: 58.9

- Panto angle: 9

- 54 - 15 - 140 b: 42



KADY - 104

Gloss solid black / Rose / Grey tort



KADY - 161

Gloss solid purple / Teal / Pink tort



KADY - 162

Gloss Sangria / Purple / Red tort

KADY

A COLOURFUL, EASY TO WEAR BUTTERFLY SHAPE, FINISHED WITH CONFIDENT COLOUR BLOCKING.



PORTIA

A BEAUTIFULLY BEVELLED CAT EYE SHAPE IN FASHIONABLE NUDE WITH BRIGHT COLOUR POPS.



PORTIA - 102

Gloss tort / Red pepper / Nude



PORTIA - 118

Gloss crystal nude / Tort / Rose



- Hand crafted acetate frame
 - Dual front and temple laminations
 - Spring hinges
 - Full frame
 - Base curve: 4.5
-

- ED: 57.5

- Panto angle: 10

- 53 - 16 - 140 b: 41

ALI

STRIKE AN ELEGANT POSE WITH THIS SUPER SLIM STYLE, LIGHT BUT FULL OF CHARACTER.



- Flat sheet metal front
 - Hand crafted acetate temples
 - Full frame
 - Base curve: 4.5
-

- ED: 56.8

- Panto angle: 10

- 52 - 16 - 140 b: 38



ALI - 207

Spruce teal / Rose gold / Pink tort



ALI - 261

Gloss navy / Rose gold / Blue tort



ALI - 272

Shiny rose gold / Sangria /
Burgundy tort

CALICO

STEP OUT IN STYLE - CHOOSE A FASHIONABLE DEEPER FRAME DESIGN LIT UP BY DELICATE FLASHES OF METALLIC DETAILING.



- Handmade acetate front with metal brow bar
 - Metal temples
 - Full frame
 - Base curve: 4.5
-

- ED: 56.1

- Panto angle: 10

- 52 - 17 - 135 b: 40



CALICO - 107

Gloss green horn / Matte rose gold



CALICO - 108

Matte crystal grey / Shiny gunmetal



CALICO - 162

Gloss Sangria tort / Gold

DANIA

BANG ON TREND, THIS FLATTERING ROUND EYE SILHOUETTE HAS SUPER FINE TEMPLES AND A DASH OF PLAYFUL PATTERNING.



- Metal and acetate front
 - Hand crafted acetate temples
 - Round eye supra frame
 - Base curve: 4.5
-

- ED: 56.5

- Panto angle: 8

- 51 - 20 - 140 b: 47



DANIA - 105

Shiny rose gold / Gloss blue tort



DANIA - 172

Shiny rose gold / Gloss rose horn /
Gloss pink tort



DANIA - 195

Shiny bronze / Gloss grey snakeskin

JANUARY

LIFT YOUR MOOD WITH A REFINED SCULPTURAL SHAPE, A FINE TWIST AT THE TEMPLE AND A POP OF SPARKLY COLOUR.



- Flat sheet metal front
- Hand crafted acetate temples
- Full frame
- Base curve: 4.5

- ED: 57.8

- Panto angle: 9

- 54 - 17 - 140 b: 40



JANUARY - 207

Gloss spruce teal / Shiny bronze / Tort



JANUARY - 260

Gloss red pepper / Shiny gold / Tort



JANUARY - 272

Shiny rose gold / Gloss black horn

EZRAH

ADD THE FINISHING TOUCH. A PETITE FIT, SOFT CAT EYE WITH ELEGANT TRIMS ON SKINNY TEMPLES.



- Hand crafted acetate
 - Stainless steel hinge/logo plaque details
 - Full frame
 - Base curve: 4.5
-

- ED: 57.8

- Panto angle: 9

- 49 - 16 - 135 b: 32



EZRAH - 104

Gloss solid black



EZRAH - 172

Gloss pink tort



EZRAH - 188

Gloss teal

RADLEY

LONDON



Sia - 106
Matte teal / Diagonal stripe



15507 50X15-145
161 PURPLE



15507
172 PINK



NOLEEN - 172
Pale pink crystal



RADLEY
LONDON

2023 Sunglasses Collection

RDS 6502

Made from bio acetate. Vintage style, chunky cat eye with front beveling.



- G850 FRONT, BIO ACETATE TEMPLES & BIO LENSES
- 99% + UVA & UVB PROTECTION (UV400)
- LENS CATEGORY: 3 (SUITABLE FOR DRIVING)
- BASE CURVE: 2 (*Suitable for prescription glazing*)



RDS 6502 - 102

*Tortoise**

• *Brown grad (Cat 3)*

• **52 - 21 - 145**



RDS 6502 - 109

Palm leaf khaki

• *Solid brown (Cat 3)*

RDS 6504

Made from bio acetate. Oversized butterfly shape with Radley branded metal bars on the temples.



- G850 FRONT, BIO ACETATE TEMPLES & BIO LENSES
- 99% + UVA & UVB PROTECTION (UV400)
- LENS CATEGORY: 3 (SUITABLE FOR DRIVING)
- BASE CURVE: 6 (*Suitable for prescription glazing*)



• 55 - 20 - 140



RDS 6504 - 109 • *Brown grad (Cat 3)*
Palm leaf khaki

RDS 6504 - 172 • *Solid brown (Cat 3)*
Dark rose pink

RDS 6506

Made from bio acetate. On trend square eye with metal bar detailing.



- G850 FRONT, BIO ACETATE TEMPLES & BIO LENSES
 - 99% + UVA & UVB PROTECTION (UV400)
 - LENS CATEGORY: 3 (SUITABLE FOR DRIVING)
 - BASE CURVE: 6 (*Suitable for prescription glazing*)
-



RDS 6506 - 172

Dark rose pink & leopard tort

- Solid brown (Cat 3)

• 54 - 19 - 140



RDS 6506 - 188

Verdigris turquoise

- Brown grad (Cat 3)

RDS ELSPETH

Be inspired by vintage finds with a confident thick-cut frame embellished with colour block and luxury trims.



- PC FRAME & HANDMADE ACETATE TEMPLES - CORNER CUT COLOURS & TEMPLE LAMINATION.
- 99% + UVA & UVB PROTECTION (UV400)
- LENS CATEGORY: 3 (SUITABLE FOR DRIVING)
- BASE CURVE: 6 (Suitable for prescription glazing)



ELSPETH - 102

Gloss black / Tort

- Solid brown (Cat 3)



ELSPETH - 104

Gloss black / Purple tort

- Smoke grad (Cat 3)



ELSPETH - 107

Gloss teal

- Smoke grad (Cat 3)

• 51 - 21 - 140

RDS FIONN

Easy to wear soft cat eye with metallic jewellery-like branding.



- CP FRONT WITH METAL BAR ON HANDMADE ACETATE TEMPLES.
- 99% + UVA & UVB PROTECTION (UV400)
- LENS CATEGORY: 3 (SUITABLE FOR DRIVING)
- BASE CURVE: 6 (*Suitable for prescription glazing*)



• 55 - 18 - 140

FIONN - 104

Gloss black / Matte rose gold / Pink tort

- *Solid smoke (Cat 3)*



FIONN - 112

Gloss crystal nude / Painted blue

- *Brown grad (Cat 3)*

RDS MORWENNA

Stand out in 70's-inspired colour blocks with lustrous metallic trims.



- PC FRAME & HANDMADE ACETATE TIPS - JEWELLERY DETAILING & COLOUR BLOCKING.
- 99% + UVA & UVB PROTECTION (UV400)
- LENS CATEGORY: 3 (SUITABLE FOR DRIVING)
- BASE CURVE: 4 (*Suitable for prescription glazing*)



• 57 - 17 - 140



MORWENNA - 107

Gloss green crystal / Blue - Shiny rose gold • Brown grad (Cat 3)

MORWENNA - 104

Gloss solid black / Shiny gold
• *Smoke grad (Cat 3)*