



## 2023 OPTICAL & SUN COLLECTION

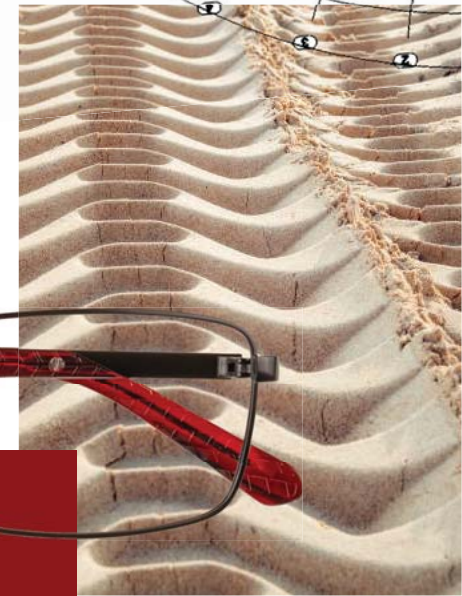


©2023 Caterpillar.

CAT, CATERPILLAR, LET'S DO THE WORK, their respective logos, "Caterpillar Corporate Yellow", the "Power Edge" and Cat "Modern Hex" trade dress as well as corporate and product identity used herein, are trademarks of Caterpillar and may not be used without permission.



# CAT OPTICAL SS23 INSP0



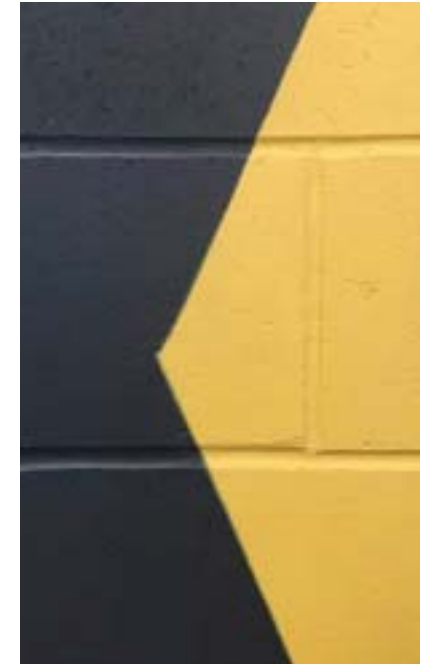


# CTO 3020

## ACETATE FULL FRAME

59-17-150    B-41    BASE-450

- Handmade acetate frame
- Bespoke coloured core wire with logo
- Spring hinges
- Fully adjustable temples



**CTO-3020-101** Gloss horn



**CTO-3020-104** Gloss black / Crystal



**CTO-3020-108** Gloss grey horn







# CTO 3021

## STAINLESS STEEL / ACETATE FULL FRAME

60-16-150

B-35.1

BASE-450

- Durable stainless steel front
- Spring hinges
- Laser etched logo
- Adjustable temples and nose pads



**CTO-3021-003** Matte brown / Horn



**CTO-3021-004** Matte black







# CTO 3032

## MONEL / ACETATE FULL FRAME

59-17-150

B-38.5

BASE-450

- Full frame rim wire front with 3 bar bridge
- Fully designed casted trim
- Laser etched logo
- Adjustable temples and nose pads



**CTO-3032-004** Matte black / Burgundy



**CTO-3032-006** Matte navy / Blue





# CTO 3000

HANDMADE ACETATE  
FULL FRAME  
58-18-150 B-38.1

- Slim acetate frame
- High gloss finishing
- Fully adjustable temples
- Spring hinges

**XIFIT**



CTO-3000-102 Gloss tort



CTO-3000-108 Gloss dark grey to crystal horn fade



CTO-3000-119 Gloss navy horn





# CTO 3001

HANDMADE ACETATE  
FULL FRAME

56-17-145 B-34.4

- Slim acetate frame
- Sliced trim treatment
- Fully adjustable temples
- Spring hinges

**XIFIT**



CTO-3001-103 Gloss brown amber horn



CTO-3001-104 Matte black

CTO-3001-106 Matte navy carbon pattern



# CTO 3002

STAINLESS STEEL / ACETATE  
SUPRA

58-20-150 B-41.7

- Durable stainless steel supra front
- Thin spring hinges
- Colour pops
- Adjustable temples and nose pads

**XIFIT**



CTO-3002-004 Matte black / Black / Red



CTO-3002-005 Matte gun /Tort / Blue



CTO-3002-010 Matte titanium / Navy / Lime





# CTO 3003

STAINLESS STEEL  
FULL FRAME

58-17-150 B-39.4

- Durable stainless front with rimwire
- Two tone sheet metal temples
- Laser etched logo
- Adjustable temples and nose pads

**XIFIT**



CTO-3003-004 Matte black / Navy



CTO-3003-005 Matte gun



CTO-3003-006 Matte navy / Gun



# CTO 3004

STAINLESS STEEL / ACETATE  
FULL FRAME

54-18-140 B-37.1

- Durable stainless steel front with rimwire
- Full acetate temple with lasered logo plaque
- Spring hinges
- Adjustable temples and nose pads



CTO-3004-003 Matte brown / Brown carbon pattern



CTO-3004-004 Matte black / Blue / Black



CTO-3004-005 Matte gun / Navy / Carbon pattern





## CTO 3005

STAINLESS STEEL / ACETATE  
FULL FRAME

56-15-145 B-37.2

- Durable stainless steel front with rimwire
- Full acetate temple with lasered logo plaque
- Spring hinges
- Adjustable temples and nose pads

**XIFIT**



CTO-3005-003 Matte brown / Brown carbon pattern



CTO-3005-005 Matte gun / Navy carbon pattern



CTO-3005-010 Matte titanium / Brown amber horn



# CTO 3006

MONEL / ACETATE  
FULL FRAME

56-16-145 B-37

- Full frame rimwire front
- Thin spring hinges
- Colour pops
- Adjustable temples and nose pads

**XIFIT**



CTO-3006-004 Matte black / Black / Red



CTO-3006-005 Matte gun / Black / Grey horn



CTO-3006-006 Matte navy rubberised / Tort / Blue





# CTO 3007

MONEL / STAINLESS STEEL  
FULL FRAME

53-16-140 B-34.8

- Full frame rimwire front
- Two tone sheet metal temples
- Laser etched logo
- Adjustable temple tips and nose pads



CTO-3007-004 Matte black rubberised



CTO-3007-005 Matte gun



CTO-3007-006 Matte navy rubberised



# CTO GRIPS

TITANIUM / HANDMADE ACETATE  
SUPRA

56-18-145 B-33

- Double injection rubber non-slip temples
- Titanium: strong & light 19g / 0.67oz
- Fully adjustable nose pads & temple tips

ULTRA LIGHT  
ULTRA STRONG  
TITANIUM



CTO-GRIPS-006 Matte navy / Black out, grey in



CTO-GRIPS-004 Matte rubberized black / Black out, yellow in



CTO-GRIPS-010 Matte dark gun / Grey out, navy in

Adjustable parts

Adapted temple width contours

Spring loaded

Built in monoblock

Specially adapted end piece







# CTO GAMBREL

STAINLESS STEEL /  
HANDMADE ACETATE  
SUPRA

55-19-145 B-37

- Supra style - less is more
- Fully adjustable nose pads and temple tips
- Handmade acetate temples
- Sport style temple contouring



CTO-GAMBREL-004 Matte rubberised black / Red horn



CTO-GAMBREL-005 Matte grey / Grey out, light grey in



CTO-GAMBREL-006 Matte navy / Black out, clear crystal in

Adjustable parts

Adapted temple width contours

Spring loaded

Built in monoblock

Specially adapted end piece





# CTO BEZEL

HANDMADE ACETATE  
FULL FRAME  
55-16-145 B-35

- Handmade acetate front & temples
- Fully adjustable temple tips
- Sleek built-in spring loaded monoblock hinge



CTO-BEZEL-105 Matte grey crystal



CTO-BEZEL-104 Gloss black tort



CTO-BEZEL-109 Gloss green horn

Adjustable parts

Adapted temple width contours

Spring loaded

Built in monoblock

Specially adapted end piece







# CTO LEDGER

HANDMADE ACETATE  
FULL FRAME

53-17-140 B-37

- Handmade acetate frame
- NEW 180° flexible hinges
- Fully adjustable temple tips



**CTO-LEDGER-104** Matte black / Matte black out, red crystal in



**CTO-LEDGER-103** Gloss brown out, amber horn in



**CTO-LEDGER-106** Gloss navy horn / Matte black out, blue crystal in

Adjustable parts

Adapted temple width contours

Spring loaded

Built in monoblock

Specially adapted end piece





# CTO BRACKET

STAINLESS STEEL /  
HANDMADE ACETATE  
FULL FRAME

54-18-145 B-35

- Fully adjustable nose pads and tips
- Handmade acetate temples
- Engine plate logo plaques



CTO-BRACKET-006 Matte navy /Navy out, lime crystal in



CTO-BRACKET-004 Matte rubberised black / Black out, red crystal in

Adjustable parts

Adapted temple width contours

Spring loaded

Built in monoblock

Specially adapted end piece







# CTO DORMER

HANDMADE ACETATE  
FULL FRAME

60-17-145 B-41

- Handmade acetate frame
- Fully adjustable temple tips
- Engine plate logo plaques



CTO-DORMER-102 Gloss brown horn



CTO-DORMER-104 Gloss black grey



CTO-DORMER-106 Matte navy / Matte blue carbon

Adjustable parts

Adapted temple width contours

Spring loaded

Built in monoblock

Specially adapted end piece





**CTO INLAY**  
ACETATE  
FULL FRAME  
53-17-140 B-38



**CTO-INLAY-104** Matte black



**CTO-INLAY-103** Gloss brown / Amber horn



**CTO-INLAY-108** Matte grey horn

Adjustable parts

Adapted temple width contours

Spring loaded

Built in monoblock

Specially adapted end piece







# CTO 3013

ACETATE  
FULL FRAME

57-17-150 B-36.9

- Handmade acetate frame
- Lasered logo plaques
- Engine plate logo tip plaques
- Fully adjustable temples

**XIFIT**



CTO-3013-103 Gloss brown

CTO-3013-104 Gloss black

CTO-3013-106 Gloss navy



# CTO 3015

STAINLESS STEEL  
FULL FRAME

60-17-150 B-37.9

- Stainless steel front with rimwire
- Integrated monoblock spring hinge
- Laser etched logo
- Adjustable temples and nose pads

**XIFIT**



CTO-3015-004 Matte black



CTO-3015-005 Matte gunmetal



CTO-3015-006 Matte navy





# CTO 3016

MONEL / ACETATE

FULL FRAME

57-17-150 B-43.5

- Double bridge square aviator
- Integral monoblock spring hinges
- Laser etched logo
- Adjustable temples and nose pads

**XIFIT**



CTO-3016-001 Matte gold



CTO-3016-004 Matte black



CTO-3016-005 Matte gunmetal



# CTO FOREMAN

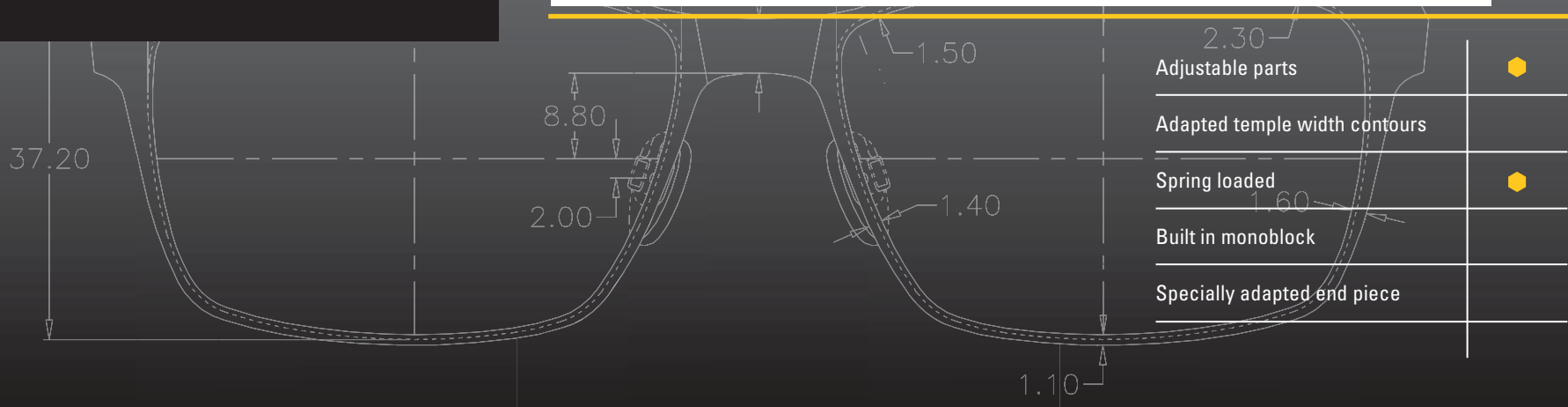
HANDMADE ACETATE  
FULL FRAME

60-17-150 B-44

Engine plate temple logo plaques  
Fully adjustable temple tips  
XL fit for big comfort  
Handmade acetate frame



CTO-FOREMAN-103 Gloss brown horn





**CAT**<sup>®</sup>

**STRENGTH  
ENGINEERING EXCELLENCE  
EFFICIENCY**





# CTO INSTALL

STAINLESS STEEL / HANDMADE  
ACETATE - SUPRA  
58-17-145 B-32

- Supra style as less is more
- Fully adjustable nose pads and tips
- XL fit for big comfort
- Handmade acetate tips



CTO-INSTALL-005 Rubberized matte gun / Gloss black, white and grey layered



CTO-INSTALL-004 Matte black / Matte black tort



CTO-INSTALL-006 Matte navy / Gloss black and blue crystal

Adjustable parts

Adapted temple width contours

Spring loaded

Built in monoblock

Specially adapted end piece



1.10



# CTO GANISTER

STAINLESS STEEL / HANDMADE  
ACETATE - FULL FRAME

60-17-150 B-40.9

- XL fit for big comfort
- Cat digger inspired monoblock spring hinge
- Fully adjustable nose pads and temple tips

**XLFIT**



CTO GANISTER-005 Satin gun



CTO GANISTER-004 Matte black



CTO GANISTER-006 Matte dark navy

Adjustable parts



Adapted temple width contours



Spring loaded



Built in monoblock



Specially adapted end piece





# CTO GABBRO

HANDMADE ACETATE  
FULL FRAME

55-17-145 B-35.1

- Handmade acetate frame
- Fully adjustable temple tips
- Precision lasered logo



CTO-GABBRO-109 Gloss khaki horn



CTO-GABBRO-104 Matte black



CTO-GABBRO-127 Matte black carbon patterned

Adjustable parts

Adapted temple width contours

Spring loaded

Built in monoblock

Specially adapted end piece







# CTO LATH

STAINLESS STEEL /  
HANDMADE ACETATE  
FULL FRAME

58-18-145 B-34

- Fully adjustable nose pads and temple tips
- Sleek built-in spring loaded monoblock hinge



CTO-LATH-001 Matte gold / Tort



CTO-LATH-004 Matte black / Matte black out, clear crystal in



CTO-LATH-006 Matte rubberised navy / Black out, blue crystal in

Adjustable parts

Adapted temple width contours

Spring loaded

Built in monoblock

Specially adapted end piece





# Sun Collection 2023



CAT 8501 C104 Black  
58/16-145



CAT 8501 c106 Crystal Blue  
58/16-145



CAT 8509 C106 Blue Crystal  
58/16-137



CAT 8509 C108 Grey Crystal  
58/16-137



CAT 8504 C095 Black  
59/18-145



CAT 8504 C006 Blue  
59/18-145



CAT 8510 C102 Tort  
57/17-137



CAT 8510 C104 Black  
57/17-137



CAT 8506 C104 Black  
58/16-140



CAT 8506 C106 Navy  
58/16-140



CAT 8508 C104 Black  
52/21-140



**STRENGTH**  
**ENGINEERING EXCELLENCE**  
**EFFICIENCY**